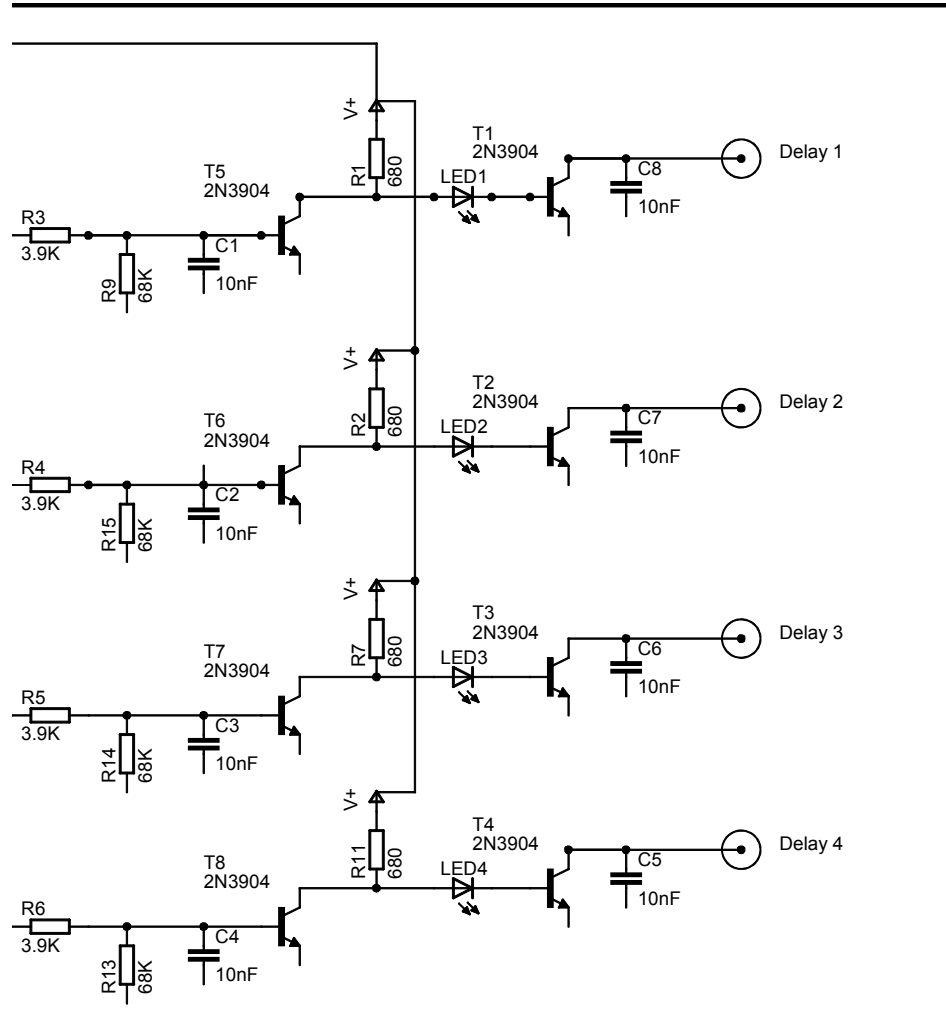


SEQUENCER PicAxe 08M

- Pin 0 = Delay 1 Active Low
- Pin 1 = Delay 2 Active Low
- Pin 2 = Delay 3 Active Low
- Pin 4 = Delay 4 Active Low
- Pin 3 = PTT control in Active Low



TITLE: SEQ

Document Number: VERSION 1.2

REV:

Date: 07/11/2005 22:03:44

Sheet: 1/1